

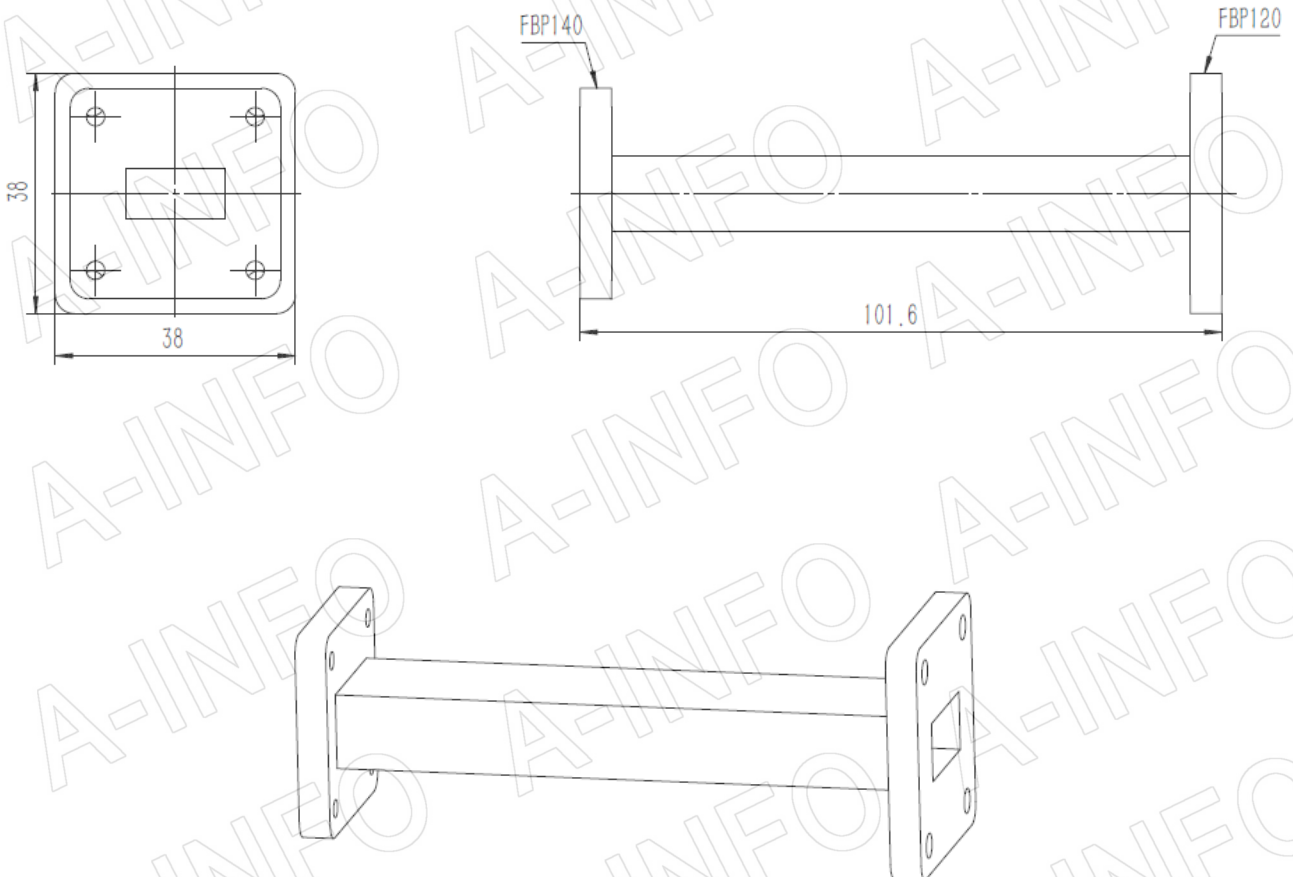
For reference only. See data sheet for the detailed specifications.

Technical Specification



EIA WR to WR	WR75 to WR62
Frequency Range(GHz)	12.4 – 15.0
Length(mm/inch)	101.6/4
Insertion Loss(dB)	0.1 Max.
VSWR	1.08:1 Max.
WR75 Flange	FBP120(UBR120)
WR62 Flange	FBP140(UBR140)
Material	Cu
Size(mm)	101.6 x 38 x 38
Net Weight(Kg)	0.18 Around

Outline Drawing (Size: mm)



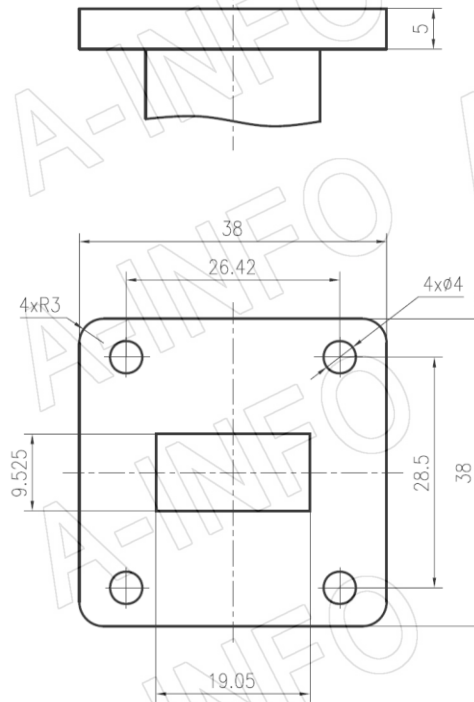
AINFO Inc.

China(Beijing): Tel: (+86) 10-6266-7326,
China(Chengdu): Tel: (+86) 28-8519-2786,
USA : Tel: (+1) 949-639-9688,

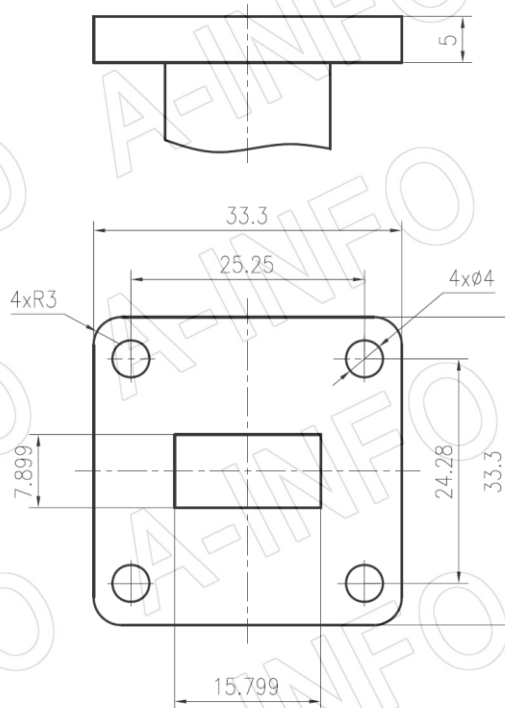
Page 1 of 3
(+86) 10-6266-7327 Fax: (+86) 10-6266-7379
(+86) 28-8519-3044 Fax: (+86) 28-8519-3068
(+1) 949-639-9608 Fax: (+1) 949-639-9670

Website: www.ainfoinc.com
Email: sales@ainfoinc.com

Outline Drawing (Size: mm)



FBP120



FBP140

AINFO Inc.

China(Beijing): Tel: (+86) 10-6266-7326,
China(Chengdu): Tel: (+86) 28-8519-2786,
USA : Tel: (+1) 949-639-9688,

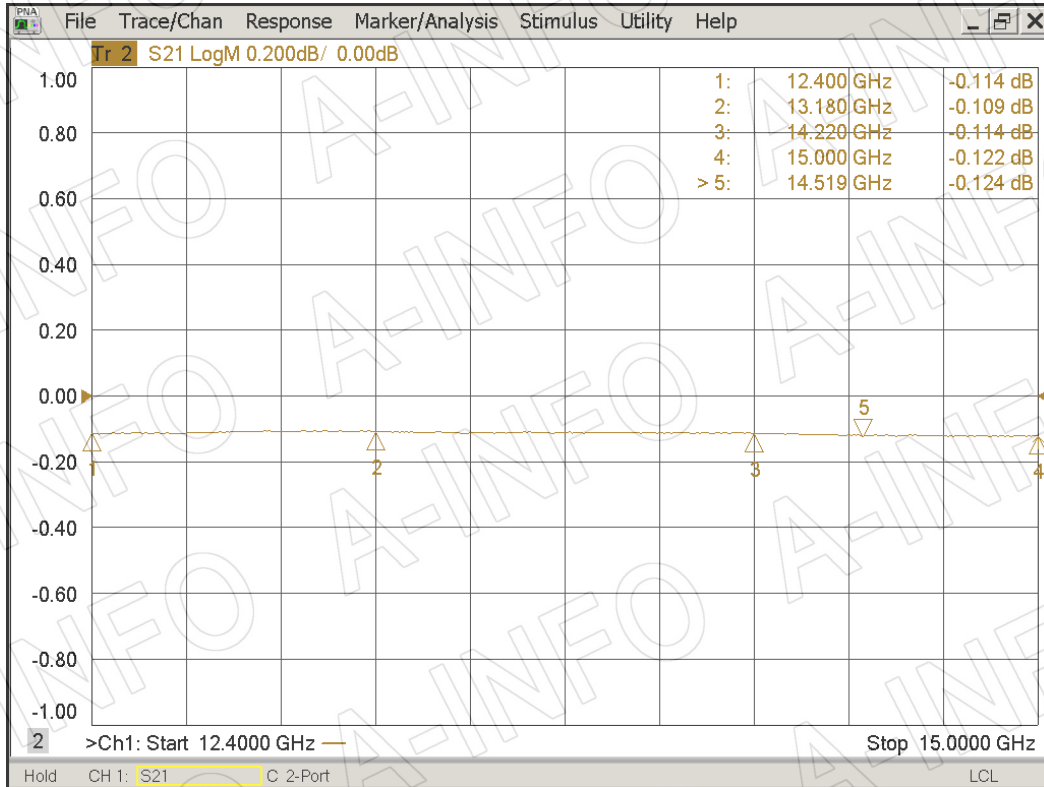
Page 2 of 3

(+86) 10-6266-7327 Fax: (+86) 10-6266-7379
(+86) 28-8519-3044 Fax: (+86) 28-8519-3068
(+1) 949-639-9608 Fax: (+1) 949-639-9670

Website: www.ainfoinc.com
Email: sales@ainfoinc.com

Test Results

I.L. (Test with two transitions back to back)



VSWR

